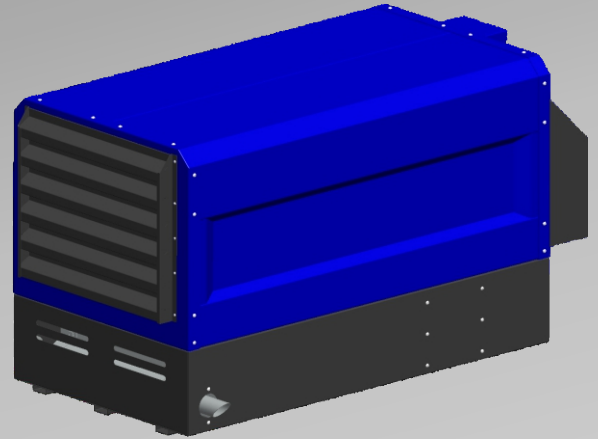


## POWER PACK 10

ENGINE	CUMMINS	X1.3-G2
ALTERNATOR	MECCALTE	ECP 3-1LN/4
ENGINE SPEED	1500	RPM
POWER	3PH 50HZ	11KVA



ENGINE	CUMMINS
FUEL	DIESEL
GOVERNER	MECHANICALLY OR ELECTRONIC GOVERNED
CYLINDERS	2
ASPIRATION	NORMAL
DISPLACEMENT	1.3 LITRES
COOLING SYSTEM	WATER COOLED
EMISSION	EU STAGE II
ENGINE POWER STANDBY	11.8 KWM @ 1500RPM
ENGINE POWER PRIME	10.6 KWM @ 1500 RPM

ALTERNATOR	MECCALTE ECP 3-1LN/4
BASELOAD POWER	11 KVA; 50HZ; 3PH @ 40°C
CONTINUOUS POWER	11 KVA; 50HZ; 3PH @ 40°C
STAND BY POWER	12.1 KVA; 50HZ; 3PH @ 40°C
VOLTS	AVR CONTROLLED 380-415V-BROAD VOLTAGE
EXECUTION	BRUSHLESS
OVERLOAD (LONG TERM)	1 HOUR IN A 6 HOUR PERIOD @110% RATED

FUEL CONSUMPTION	
50% OF PRIME POWER	1.8 L/PH
75% OF PRIME POWER	2.4 L/PH
PRIME POWER	3.0 L/PH

[WWW.NEWTONTTECHPOWER.CO.ZA](http://WWW.NEWTONTTECHPOWER.CO.ZA)

602 MOOPLAATS  
PRETORIA

TEL +27 (0) 824432297  
FAX +27 (0) 866111090

[SALES@NEWTONTTECHPOWER.CO.ZA](mailto:SALES@NEWTONTTECHPOWER.CO.ZA)