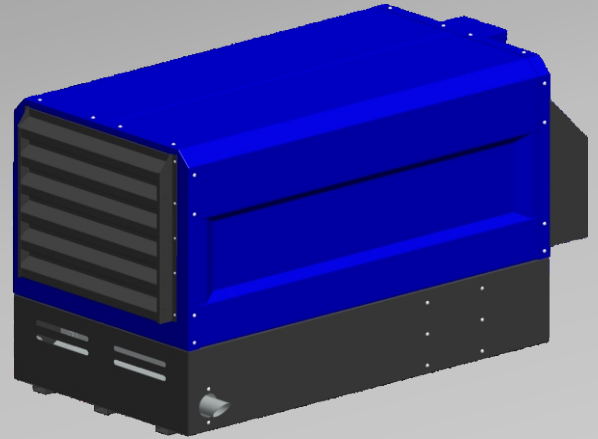


POWER PACK 15

ENGINE	CUMMINS	X2.5G2
ALTERNATOR	MECCALTE	ECP 3-3LN/4
ENGINE SPEED	1500	RPM
POWER	3PH 50HZ	15KVA



ENGINE	CUMMINS
FUEL	DIESEL
GOVERNER	MECHANICALLY OR ELECTRONIC GOVERNED
CYLINDERS	3
ASPIRATION	NORMAL
DISPLACEMENT	2.5 LITRES
COOLING SYSTEM	WATER COOLED
EMISSION	EU STAGE II
ENGINE POWER STANDBY	27 KW @ 1500RPM
ENGINE POWER PRIME	24.4 KW @ 1500 RPM

ALTERNATOR	MECCALTE ECP 3-3LN/4
BASELOAD POWER	15 KVA; 50HZ; 3PH @ 40°C
CONTINUOUS POWER	15 KVA; 50HZ; 3PH @ 40°C
STAND BY POWER	16.5 KVA; 50HZ; 3PH @ 40°C
VOLTS	AVR CONTROLLED 380-415V-BROAD VOLTAGE
EXECUTION	BRUSHLESS
OVERLOAD (LONG TERM)	1 HOUR IN A 6 HOUR PERIOD @110% RATED

WWW.NEWTONTTECHPOWER.CO.ZA

602 MOOPLAATS
PRETORIA

TEL +27 (0) 824432297
FAX +27 (0) 866111090

SALES@NEWTONTTECHPOWER.CO.ZA

FUEL CONSUMPTION	
50% OF PRIME POWER	3.5 L/PH
75% OF PRIME POWER	4.8 L/PH
PRIME POWER	6.0 L/PH