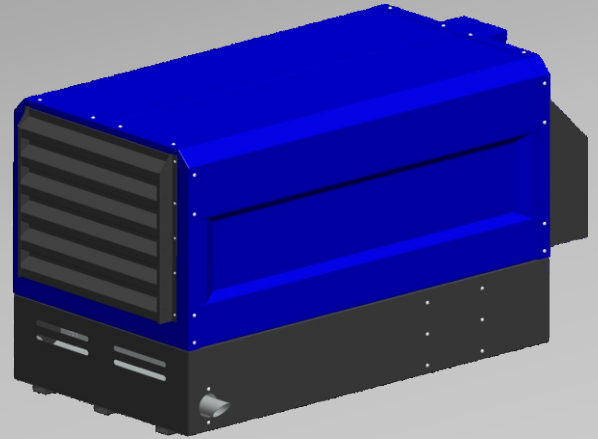


POWER PACK 25

ENGINE	CUMMINS	X2.5G2
ALTERNATOR	MECCALTE	EC028-2LN/4
ENGINE SPEED	1500	RPM
POWER	3PH 50HZ	25KVA



ENGINE	CUMMINS
FUEL	DIESEL
GOVERNER	MECHANICALLY OR ELECTRONIC GOVERNED
CYLINDERS	3
ASPIRATION	NORMAL
DISPLACEMENT	2.5 LITRES
COOLING SYSTEM	WATER COOLED
EMISSION	EU STAGE II
ENGINE POWER STANDBY	27 KWM @ 1500RPM
ENGINE POWER PRIME	24.4 KWM @ 1500 RPM

ALTERNATOR	MECCALTE ECO 28-2LN/4
BASELOAD POWER	25 KVA; 50HZ; 3PH @ 40°C
CONTINUOUS POWER	25 KVA; 50HZ; 3PH @ 40°C
STAND BY POWER	27.5 KVA; 50HZ; 3PH @ 40°C
VOLTS	AVR CONTROLLED 380-415V-BROAD VOLTAGE
EXECUTION	BRUSHLESS
OVERLOAD (LONG TERM)	1 HOUR IN A 6 HOUR PERIOD @110% RATED

WWW.NEWTONTTECHPOWER.CO.ZA

602 MOOPLAATS
PRETORIA

TEL +27 (0) 824432297
FAX +27 (0) 866111090

SALES@NEWTONTTECHPOWER.CO.ZA

FUEL CONSUMPTION	
50% OF PRIME POWER	3.5 L/PH
75% OF PRIME POWER	4.8 L/PH
PRIME POWER	6.0 L/PH